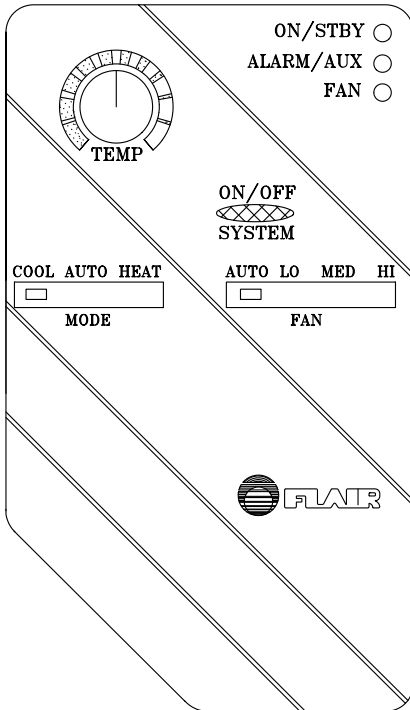


ELECTRONIC
THERMOSTAT series TE23

For control of fan coils and Packaged Terminal Air Conditioners (PTACs). For heating and cooling with automatic changeover.



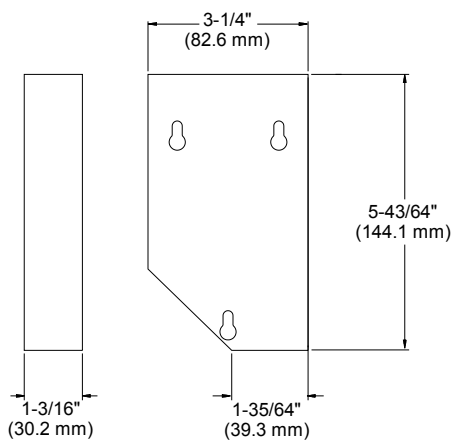
BENEFITS & SPECIAL FEATURES

- 4 minute time delay for compressor protection (may be bypassed).
- Remote temperature sensor (optional).
- Return air temperature sensor (optional).
- Electronic temperature limiting and locking.
- Low and high limit temperature alarms can activate a dry contact to switch an external control.
- Three speed automatic fan selection control with manual override.
- Continuous (on) or intermittent (auto) fan control.
- System status indicators.
- Models to accommodate 24/100/120/208/230/277 vac.
- Warmer/cooler scale standard.
- Fahrenheit and Celsius scales included.
- No sub-base required.
- Attractive modern design.

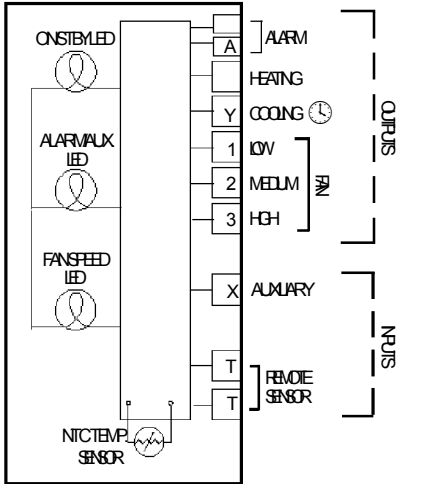
SPECIFICATIONS

Operating Voltage: 24/100/120/208/230/277 vac (-15%, +10%, 50-60 Hz)
 Switching Current at rated voltage:
 Cooling: minimum 10 Amps
 Heating: minimum 10 Amps
 Fan: minimum 10 Amps
 Alarm: minimum 1 Amp
 Auxiliary: minimum 1 Amp
 Temperature Range: 50°F - 90°F (10°C - 32°C)
 Temperature Differential:
 Heating: approximately ±0.8°F (.4°C)
 Cooling: approximately ±0.8°F (.4°C)
 Fan:
 Low: < 2° F (1.1° C)
 Med: 2 - 4° F (1.1°-2.2° C)
 High: > 4° F (2.2° C)
 4° F (2.2° C)
 Dead Band:
 Sensor System: Negative Temperature Coefficient (NTC)
 Standard: internal
 Optional: remote temperature
 Optional: return air temperature
 Compressor Protection: switched 4 minute time delay
 Switches:
 Push-button: SYSTEM: ON/OFF
 Slide: MODE: HEAT/AUTO/COOL
 Slide: FAN: AUTO/LOW/MED/HIGH
 Rotating: set TEMPerature
 Indicator LED's: ON (Steady Green) / STBY (Flashing Green)
 ALARM (Flashing Red) / AUX (Steady Red)
 LOW (Slow Flashing Yellow)
 MED (Flashing Yellow)
 HIGH (Fast Flashing Yellow)
 Fan:
 Security: Electronic temperature limiting and locking
 Dimensions: 5⁴³/₆₄ x 3¹/₄ x 1³/₁₆ Inches (144.1 x 82.6 x 30.2 mm)

DIMENSIONS



MODEL NUMBERS AND DESCRIPTIONS FOR VARIOUS APPLICATIONS



Model Number: TE231120; 24 VAC
 TE231130; 100 VAC
 TE231140; 120 VAC
 TE231150; 208 VAC
 TE231170; 230 VAC
 TE231190; 277 VAC

Description: 1 stage heat/cool

Weight: .4 lbs. (880 g)

ACCESSORIES

Remote Temperature Sensor	TX101001
Return Air Temperature Sensor	TX101011
Backplates may be used to cover large holes in walls or mount to utility boxes:	
horizontal	TX201001
vertical	TX202001
square	TX203001
Transformers:	
40 VA	TR140100
20 VA	TR120100
Relay Transformers:	
20 VA (2) SPST 120 VAC relay	TR440200
20 VA (1) SPST 120 VAC relay	TR440300

APPLICATIONS

- Zone heating or cooling.
- Commercial (Stores, Restaurants, Offices).
- Industrial.
- Institutional (Hospitals, Hotels, Motels).

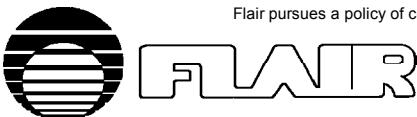
REFERENCES

For More Information On:	See:
Remote version	TF23 data sheet
Wiring, jumper, potentiometer settings and applications	Instruction sheet
Other thermostats	This section
Zone Actuators	Star Actuator section
Zone Valves	Star Valve section
Wiring Panels	Control Panels section
Warranty & pricing	Pricing & Terms section

⌚ Indicates this output is protected by a switched 4 minute time delay.



Flair pursues a policy of constant improvement. For this reason, all specifications are subject to change without notice.



FLAIR INTERNATIONAL CORPORATION

600 Old Willets Path • Hauppauge, New York 11788 • Tel: (516) 234-3600 • Fax: (516) 234-3610

TE23P2